

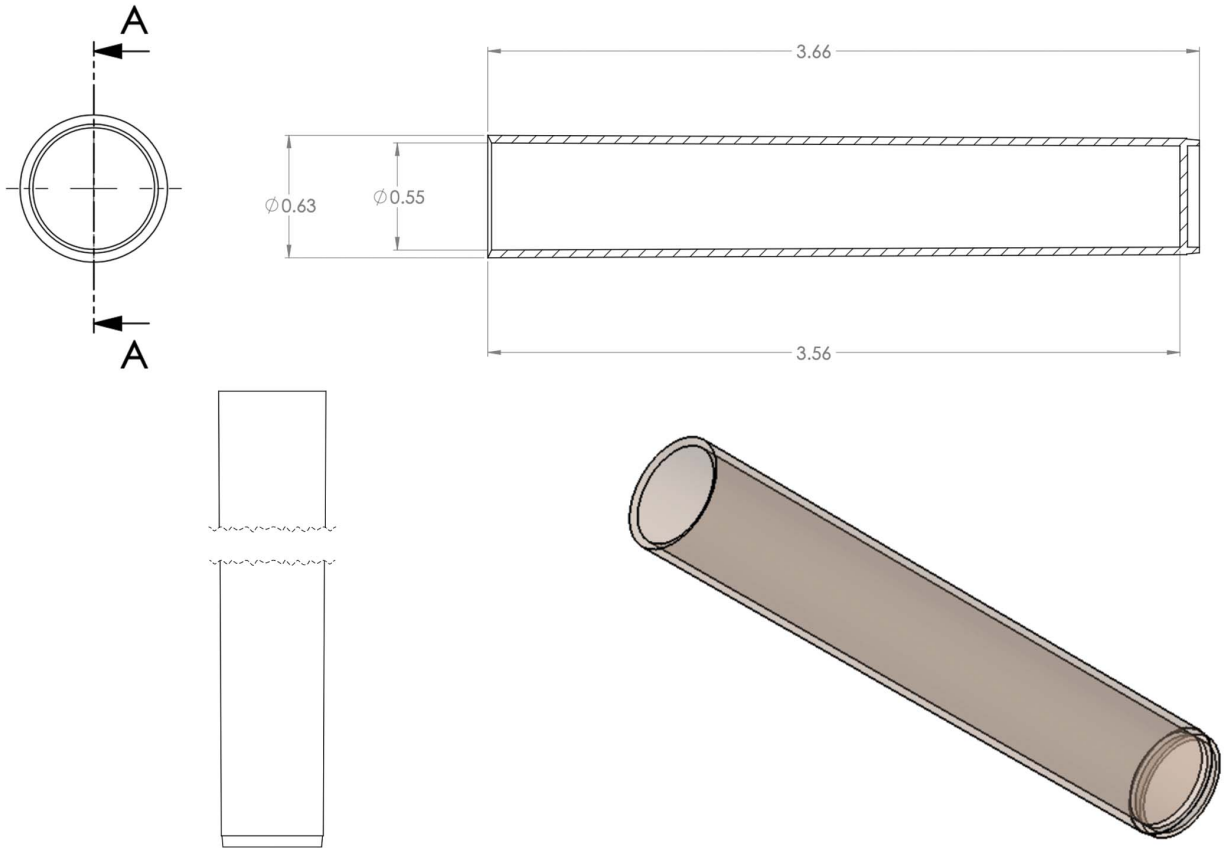


AMERICAN
SCIENTIFIC
PRODUCTS



ASP 16x93 Flat Bottom Tube

Precision-molded from premium-grade plastics and ideal for routine laboratory analysis and procedures. Our tubes are rigorously inspected by our Quality Assurance Department to ensure they surpass our exacting specifications. These tubes are ideal for a wide range of laboratory applications. Ideal for tissue culture and general culture work, our polypropylene tube with high-density polyethylene (HDPE) cap has an incredibly secure 2-turn closure. Colors Available: Blue, Green, Lavender, Orange, Pink, Red, White



Part Number	Description	Units
ASP-8588	16x93 Flat Bottom Tube	1000/Case



AMERICAN
SCIENTIFIC
PRODUCTS

CONTACT YOUR LOCAL DISTRIBUTOR FOR MORE INFORMATION:

P: 1.734.884.4770

E: cs@american-sp.com

17177 North Laurel Park Dr.
Suite 340
Livonia, MI 48152