

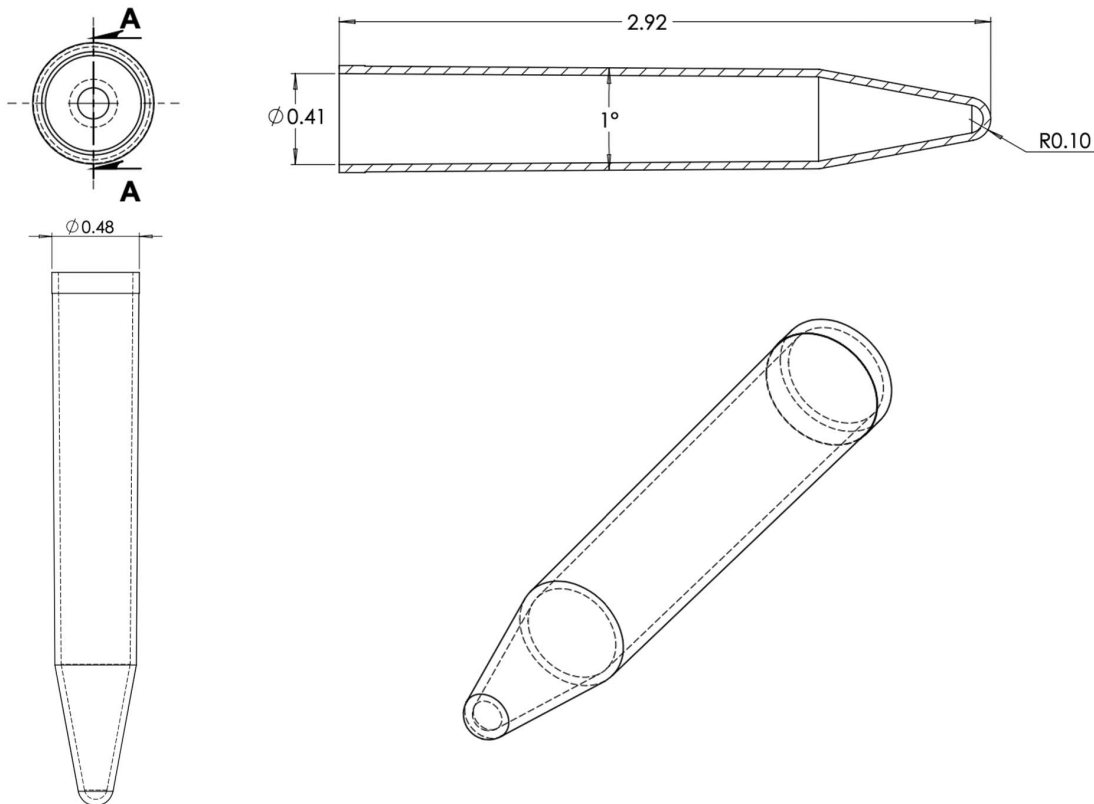


AMERICAN
SCIENTIFIC
PRODUCTS



ASP 12 X 75 Centrifuge Tube Conical Bottom

Precision-molded from premium-grade plastics and ideal for routine laboratory analysis and procedures. Our tubes are rigorously inspected by our Quality Assurance Department to ensure they surpass our exacting specifications. These tubes are ideal for a wide range of laboratory applications. All of the tubes are plastic (polystyrene, polypropylene or polypropylene-copolymer), thus preventing the problem of broken glass. Polypropylene is chemically resistant, autoclavable and virtually unbreakable. Polystyrene is clear like glass. These tubes are not available sterile.



Part Number	Description	Units
ASP-8577	12 X 75 Centrifuge Tube Conical Bottom PP	2000/Case



AMERICAN
SCIENTIFIC
PRODUCTS

CONTACT YOUR LOCAL DISTRIBUTOR FOR MORE INFORMATION:

P: 1.734.884.4770

E: cs@american-sp.com

17177 North Laurel Park Dr.
Suite 340
Livonia, MI 48152