

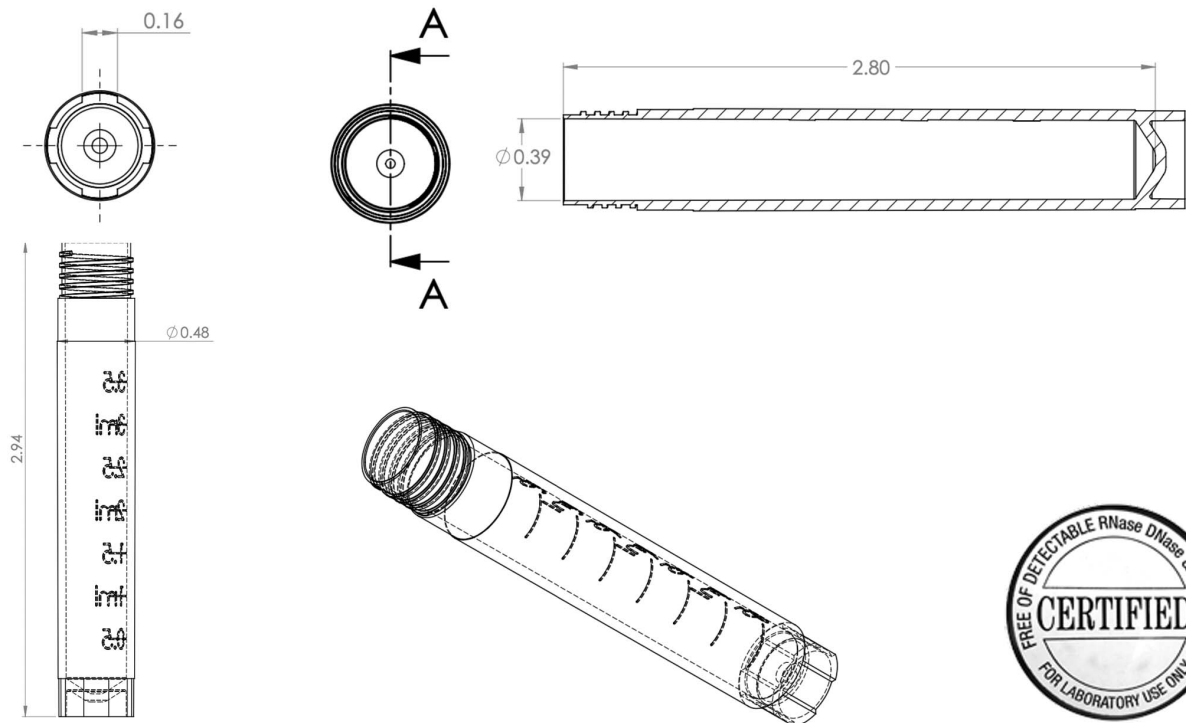


AMERICAN  
SCIENTIFIC  
PRODUCTS



## ASP 3.5ml Storage vial with Cap

Ideal for the storage of biological materials, our polypropylene tube with high-density polyethylene (HDPE) cap has an incredibly secure 2-turn closure that includes an external thread. Storage Vials Features: High Density Polyethylene (used for the cap) provides a softer surface that conforms to a harder material like polypropylene-copolymer (used for the tube) to increase the integrity of the seal. Internal sealing ring envelops the top of the tube to prevent liquid by-pass. External threads eliminate the problem of sample retention common to internally threaded tubes. Universal locks hold tubes securely allowing for one-handed operation. Round bottom design assists to maximize sample recovery. Cap colors available: White, Yellow, Blue, and Red.



Part Number	Description	Units
ASP-8545	3.5ml Storage vial with Cap	1000/Case



AMERICAN  
SCIENTIFIC  
PRODUCTS

CONTACT YOUR LOCAL DISTRIBUTOR FOR MORE INFORMATION:

P: 1.734.884.4770

E: [cs@american-sp.com](mailto:cs@american-sp.com)

17177 North Laurel Park Dr.  
Suite 340  
Livonia, MI 48152