

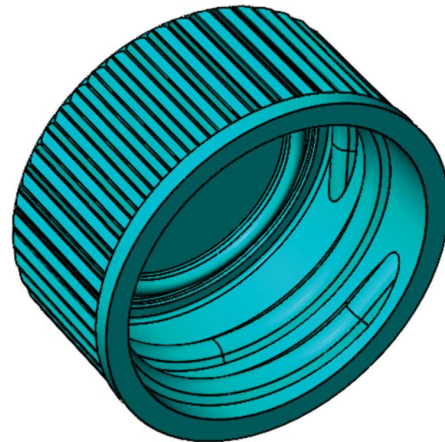
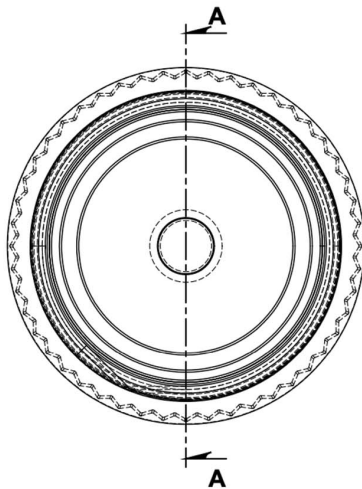
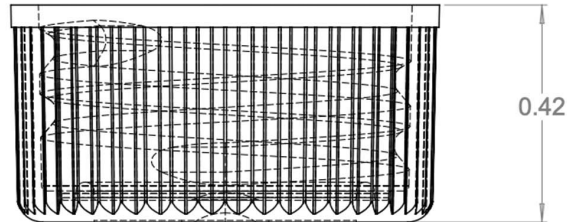
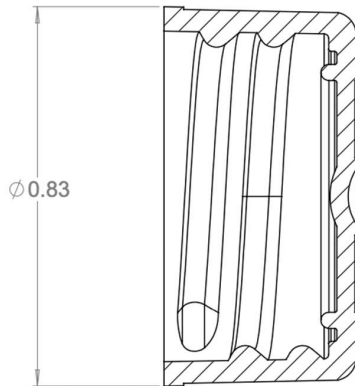


AMERICAN  
SCIENTIFIC  
PRODUCTS



## ASP 10ml Transport Tube Caps

HDPE (High-density polyethylene) Screw Caps for 10ml Transport Tubes are non-sterile. HDPE provides a softer surface that conforms to a harder material like polypropylene-copolymer (used for the tube) to increase the integrity of the seal.



Part Number	Description	Units
ASP-3204	10ml Transport Tube Cap	1000/Case



**Made in USA**



AMERICAN  
SCIENTIFIC  
PRODUCTS

CONTACT YOUR LOCAL DISTRIBUTOR FOR MORE INFORMATION:

P: 1.734.884.4770

E: [cs@american-sp.com](mailto:cs@american-sp.com)

17177 North Laurel Park Dr.  
Suite 340  
Livonia, MI 48152