

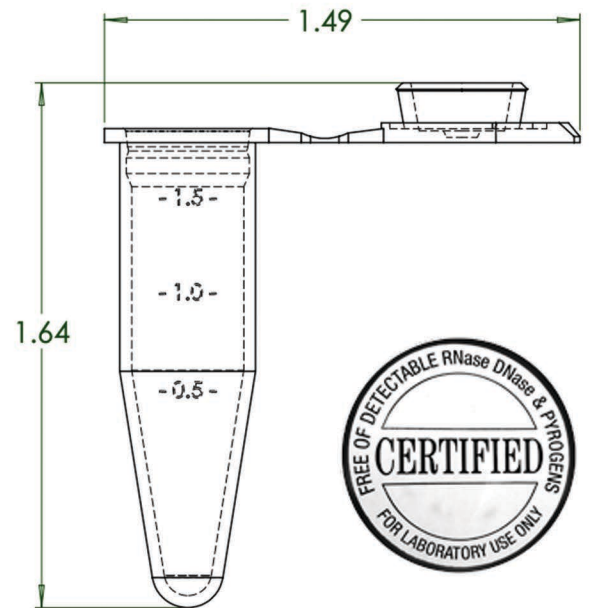
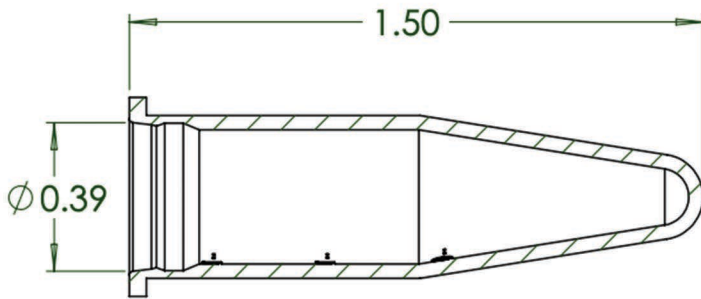


AMERICAN  
SCIENTIFIC  
PRODUCTS



## ASP 1.5mL Snap Cap Microcentrifuge Tubes

Quality – Tubes are made from optimally clear USP Class VI medical grade polypropylene  
 Certified – Certified to be free from RNase and DNase, Human DNA, Pyrogens, PCR Inhibitors  
 Versatile – Single use tubes for laboratory procedures including centrifugation, boiling, incubation, freezing and sample storage  
 Ease of Use – Tubes feature graduations, writing area, pierceable cap, are autoclavable, and are packaged in zip, re-closable bags



Specifications	
Max. Force (RCF)	30,000
Brittleness Temp.	0°C
Max. Temp.	135°C
Material	PP
Max. Volume	1.75mL

Part Number	Description	Units
ASP-8509	1.5ml PP Microcentrifuge Tubes, Snap Cap, Natural	1000/CS



CONTACT YOUR LOCAL DISTRIBUTOR FOR MORE INFORMATION:  
 P: 1.734.884.4770  
 E: [cs@american-sp.com](mailto:cs@american-sp.com)  
 17177 North Laurel Park Dr.  
 Suite 340  
 Livonia, MI 48152